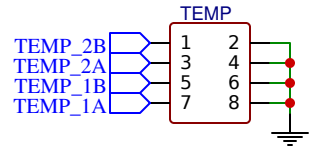
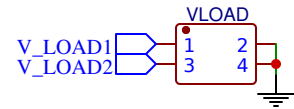
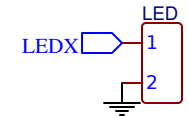
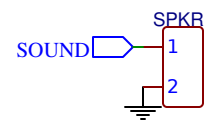
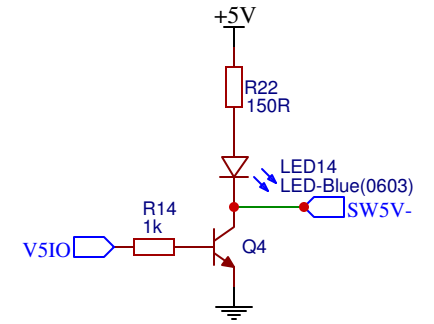
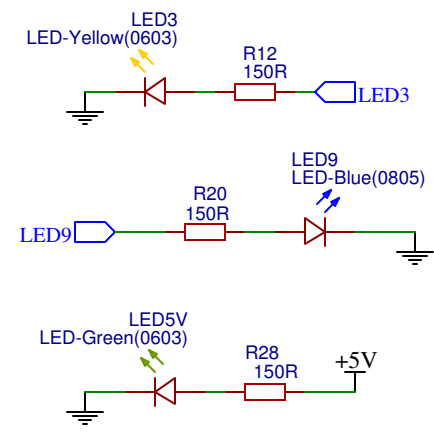
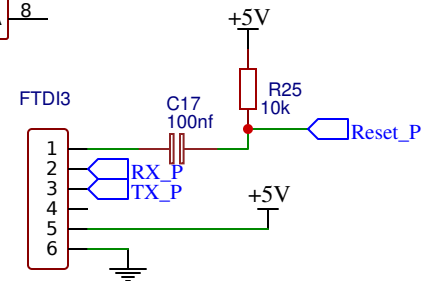
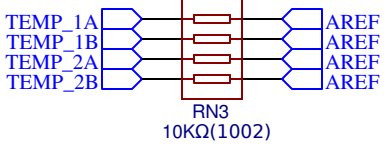
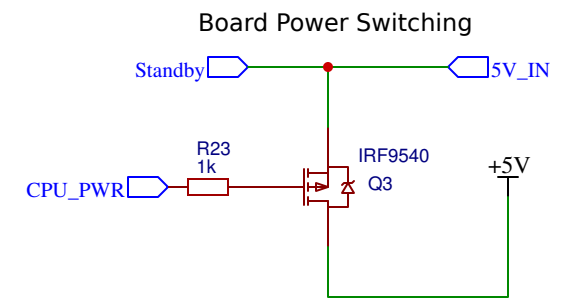
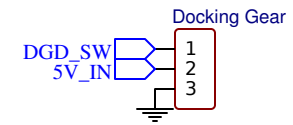
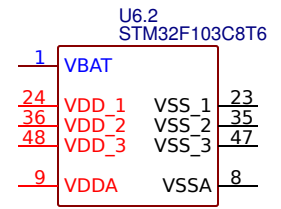
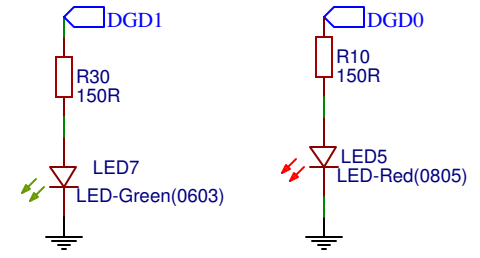
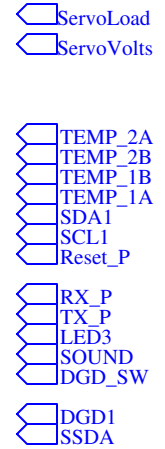
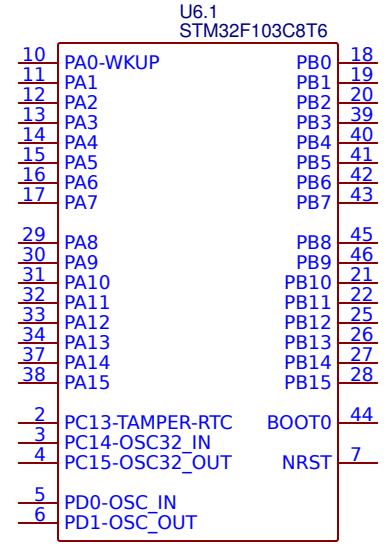
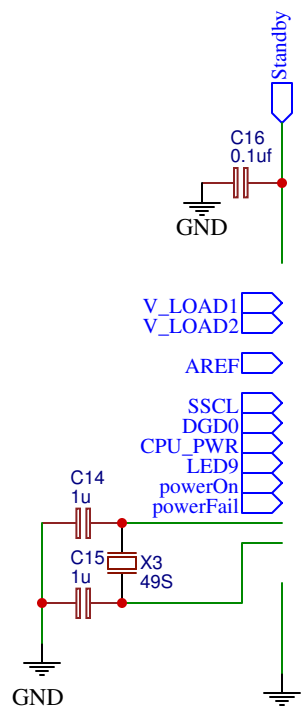
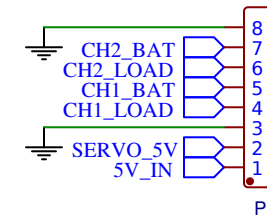
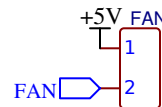
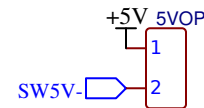
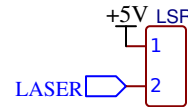
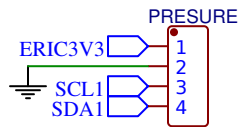
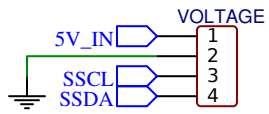
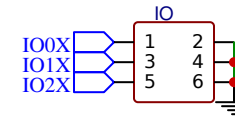
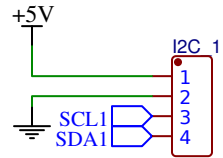
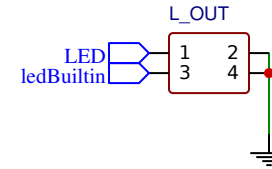
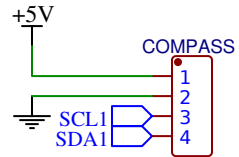
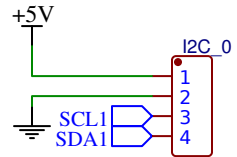
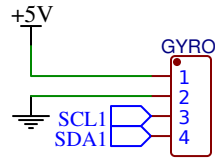
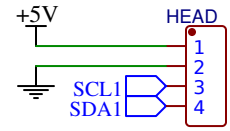


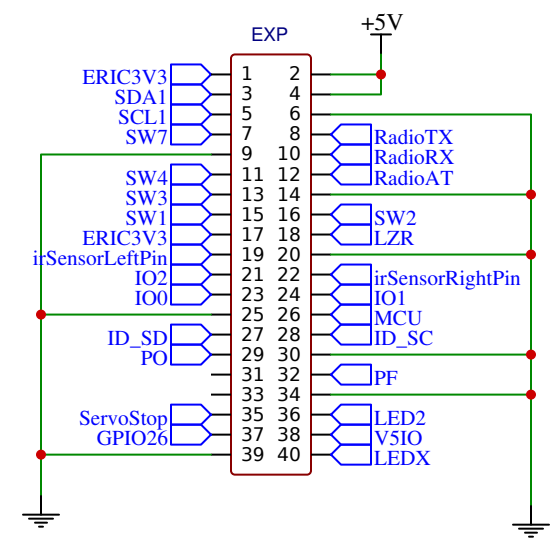
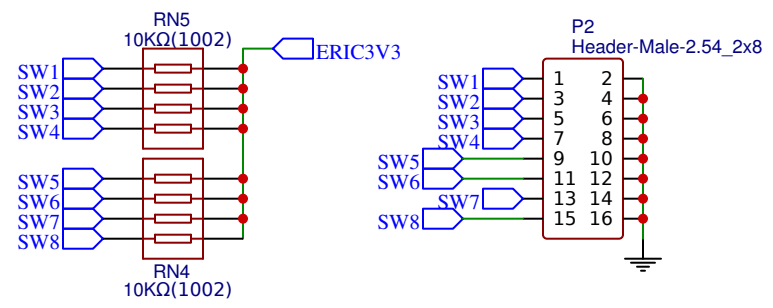
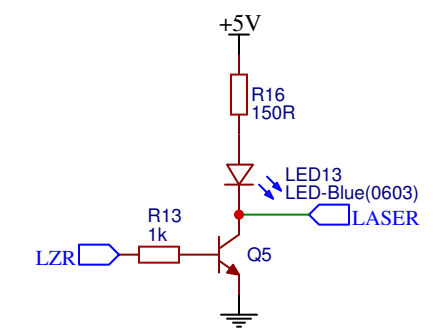
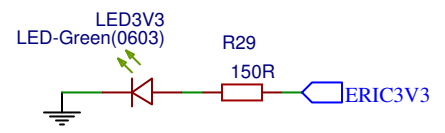
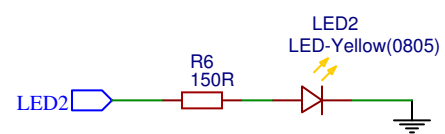
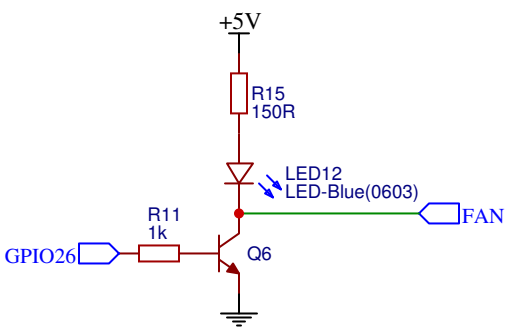
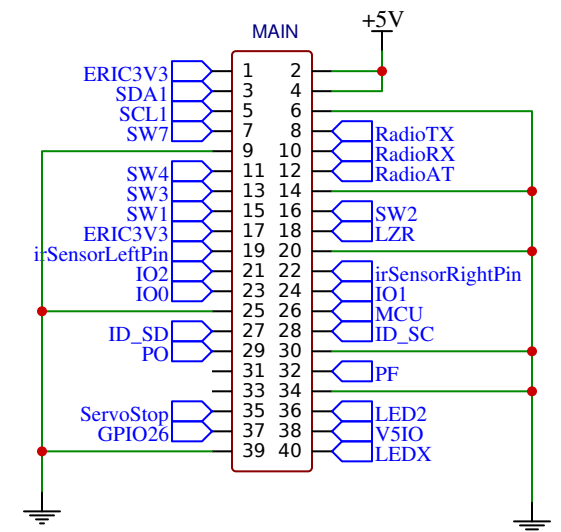
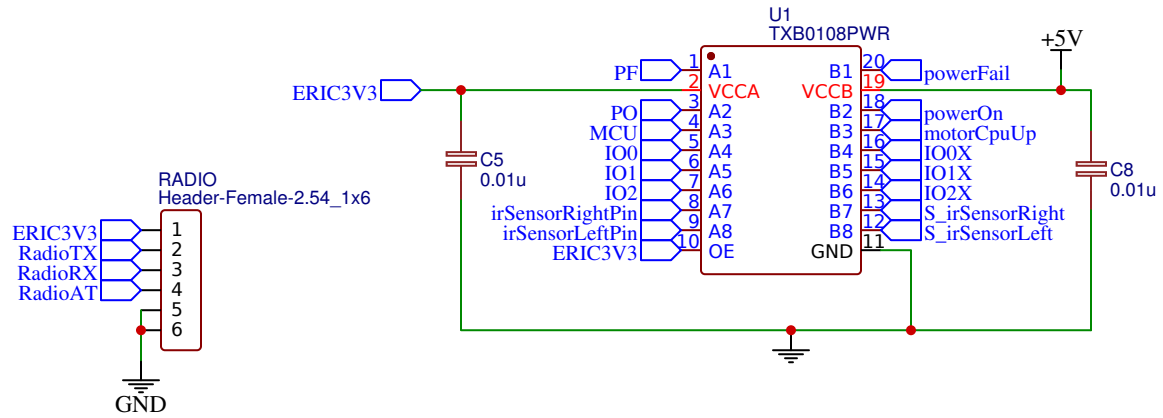
TITLE: Motor Control and Monitoring		REV: 1.0
ERIC	Company: Eric	Sheet: 1/5
	Date: 2019-03-18	Drawn By: Amanda Borman



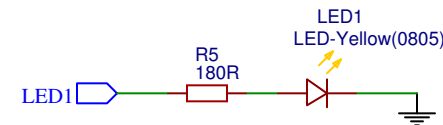
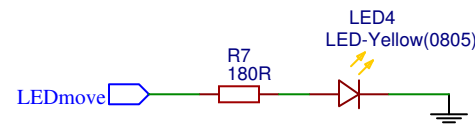
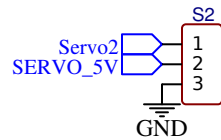
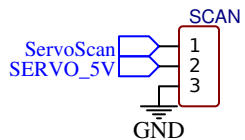
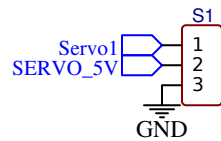
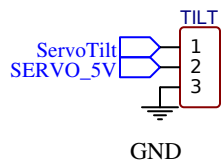
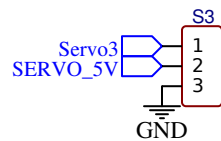
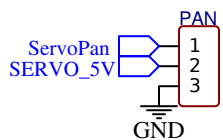
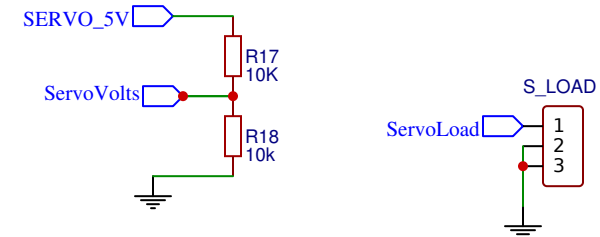
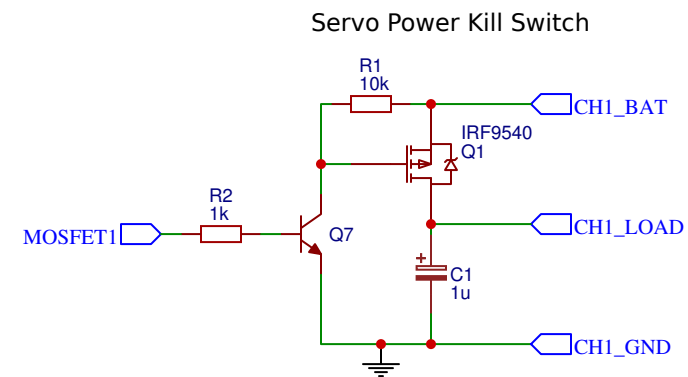
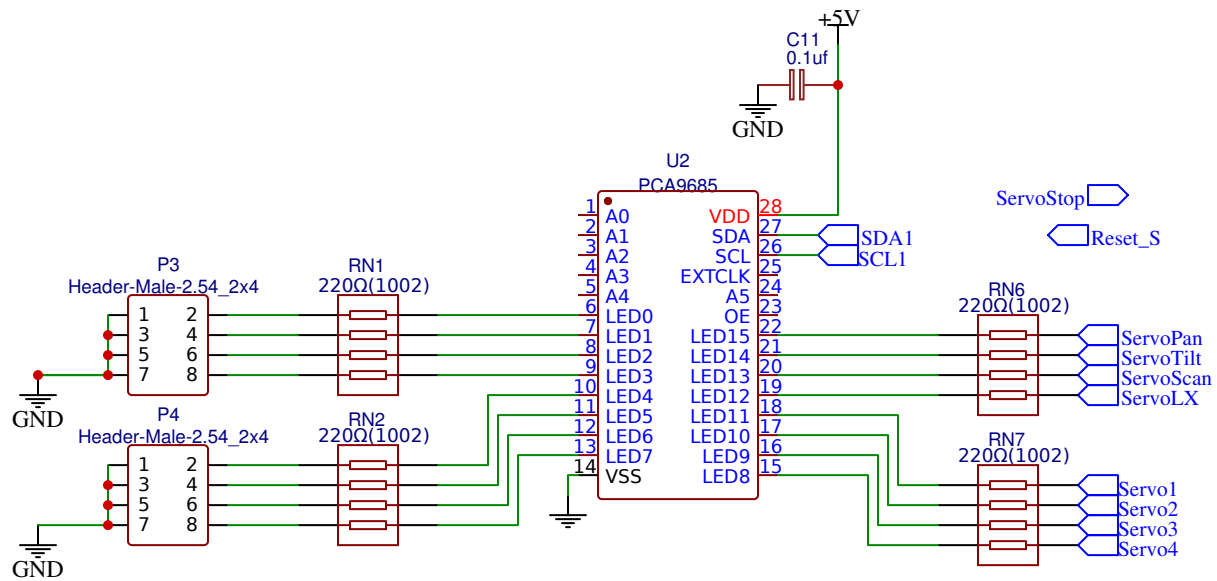
TITLE: Power Monitoring and Recharging		REV: 2.0
Date: 2018-12-23		Sheet: 2/5
EasyEDA V5.8.22	Drawn By: amandaborman	



TITLE: Connector Pinouts		REV: 1.0
Date: 2018-12-24	Sheet: 3/5	
EasyEDA V5.8.22	Drawn By: amandaborman	



TITLE: Processor Connections		REV: 1.0
Date: 2018-12-27		Sheet: 4/5
EasyEDA V5.8.22	Drawn By: amandaborman	



TITLE: Servo Control and Monitoring		REV: 2.0
ERIC	Company: Eric	Sheet: 5/5
	Date: 2019-03-18	Drawn By: Amanda Borman